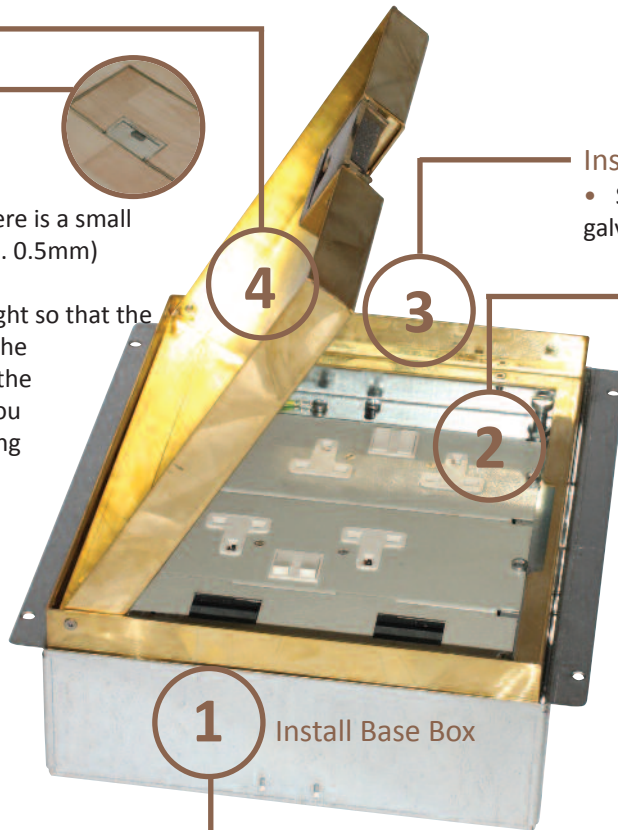


Final height adjustment should always occur after the final floor finish has been laid

Lid and frame

- Install your floor covering into the lid flush to top of lid
- Install the surrounding floor finish. Ensure that there is a small gap around the frame (min. 0.5mm)
- Adjust the inner frame height so that the top of the lid is flush with the surrounding floor. NOTE if the frame is with trim flange you must rebate the surrounding floor, or the frame will be 1.5mm proud



Install lid and frame

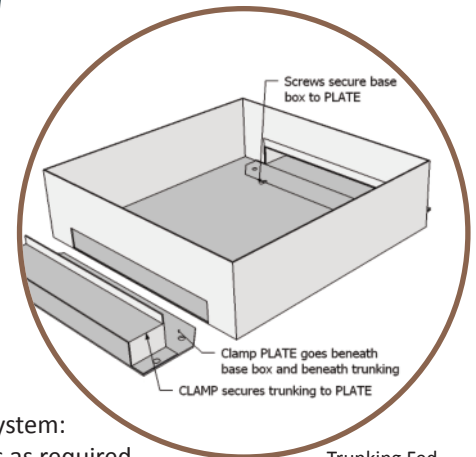
- Screw top frame to the galvanised inner frame.

Inner frame and outlet plates

- The base box will usually be supplied with the galvanised inner frame inside. Wire power and data outlets and attach to inner frame.

Installation Process

- 1 Base box
- 2 Inner frame
- 3 Lid
- 4 Final levelling



Cavity floor installation

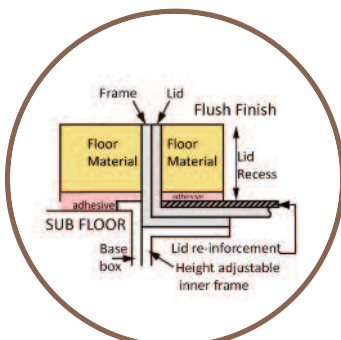
- Cut a hole in the subfloor* 10mm larger than the box stated frame size. For example, a SB-738 is frame size 320x250mm and should have a 330x260mm cut out
- Attach conduit connections as required
- Put the galvanised outer box into the cut out. Secure using screws through the top flange.

Screed installation

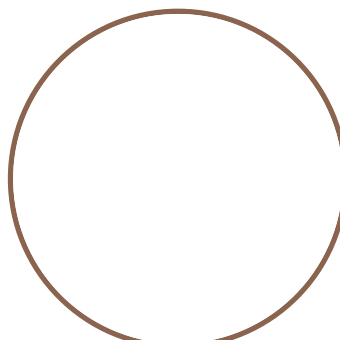
- For trunking fed system:
 - locate floor boxes as required ideally on a flat ribbon of screed
 - Attach clamp plate if not already supplied
 - fit trunking bodies in between, cut to length as required
 - Install wires
 - Install trunking lids. Secure top clamps
 - Lay screed to top of base, covering the box to prevent ingress
- For conduit fed systems:
 - Fix base box to slab, ideally on a flat ribbon of screed
 - Attach conduit as required
 - Lay screed to top of base, covering the box to prevent ingress

* For installations where the floor covering is already in situ a RETRO fit style base box should be used

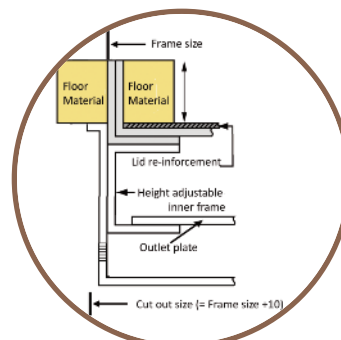
Cross Sections



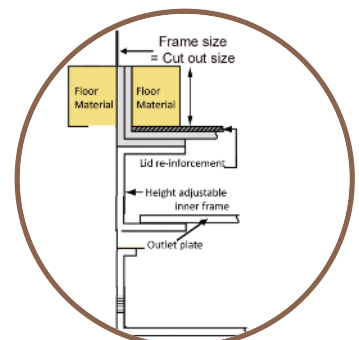
Standard recessed lid



Frame with trim flange



Standard base assembly



Retro base assembly

