

The ranges shown below are typically ex-stock for the bodies, lids are made to order. Please specify lid finish when ordering:

- white (W)
- galvanised steel (G)
- powder coated (P)
- stainless steel (ST) or brass (BR)
- wood grain finish (typically mahogoany, oak)



Any profile can be made to any size, please specify:
 skirting or dado; height and depth of trunking; number of compartments
 square or chamfered top and bottom

Partitions in the trunking* have conduit knockouts at 200mm centres to enable simple positioning of outlet plates at any time.

Compartments	Size	Body Reference	Body Profile	Lid Type	Lid Reference	Lid Profile
2	150x40 (compartments 40/110)	J2		Skirting	H2	
				Dado	J2	
3	150x50 (compartments 37.5/75/37.5)	DD3		Skirting	H3	
				Dado	DD3	
2	200x40 (compartments 100/100)	J3		Dado	J3	
3	200x40 (compartments 50/100/50) Chamfered Top	KD2		Skirting	K2	
				Dado	KD2	
3	200x50 (compartments 50/100/50)	DD4		Skirting	H4	
				Dado	DD4	
3	200x50 (compartments 50/100/50)	KK4		Dado	KK4	
2	100x100	V1		Bench	V1	

* Except J3

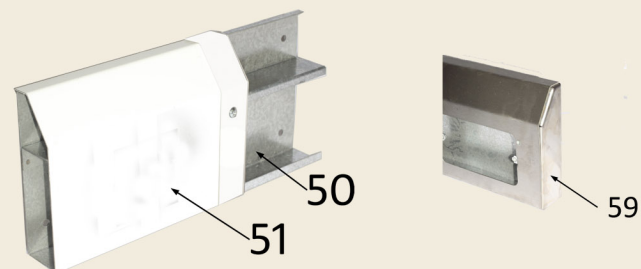
Simple to install trunking, each item coming with all necessary fixings included free of charge
 Rapid installation: threaded connectors so no need for nuts
 Conduit knockouts* at 200mm centres ensure easy positioning of outlets at any location
 An extensive range of standard accessories to eliminate on site fabrication

A range of standard accessories is shown below. Other items such as odd angles and column sets can be made to site specification. Please speak to our experienced sales team.

To order, simply take the RANGE reference, followed by the PART reference. Note that bodies and lids are ordered separately, and lids must be suffixed by the lid finish. For example J3-50 for a 2m length of j3 body, and J3-54-W for a 2 gang outlet plate to suit J3, white finish.

Part references for general trunking layout

Body:	Lid:	
50	n/a	2m length (body)
n/a	51	2m length (lid)



Part references for bends

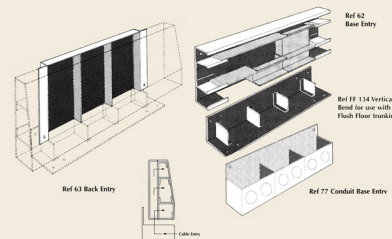
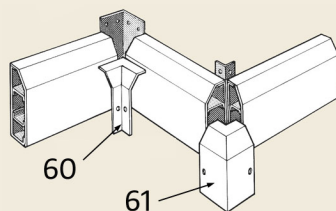
internal and external bends

60B 60L Internal bend

61B 61L External Bend

62 n/a Base entry

63 n/a Back entry
flat bends



78B 78L Right hand (down)

79B 79L Right hand (up)

80B 80L Left hand (down)

81B 81L Left hand (up)

Part references for outlets

n/a 52 One gang outlet

n/a 53** One & Two gang outlet

n/a 54 Two gang outlet

n/a 64 Panel mounted socket

72* n/a Outlet screening saddle

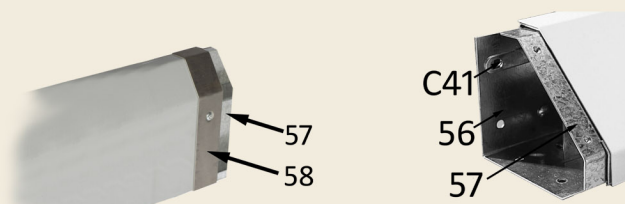
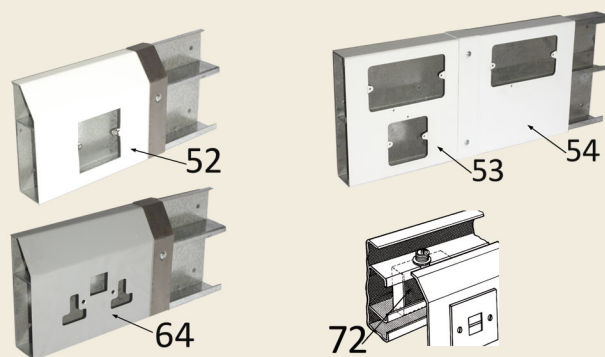
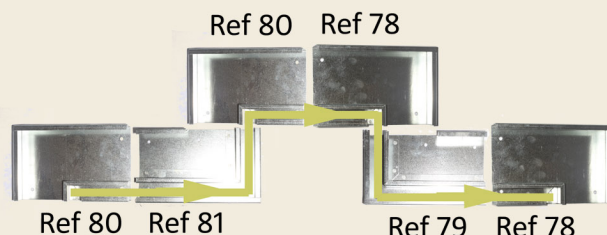
Part references of additional fixings if required

56 n/a Body fixing plate

n/a 57 Lid fixing - back strap

n/a 58 Lid fixing - cover strap

C41 n/a Copper earth strap



* Except J3; ** J3 only