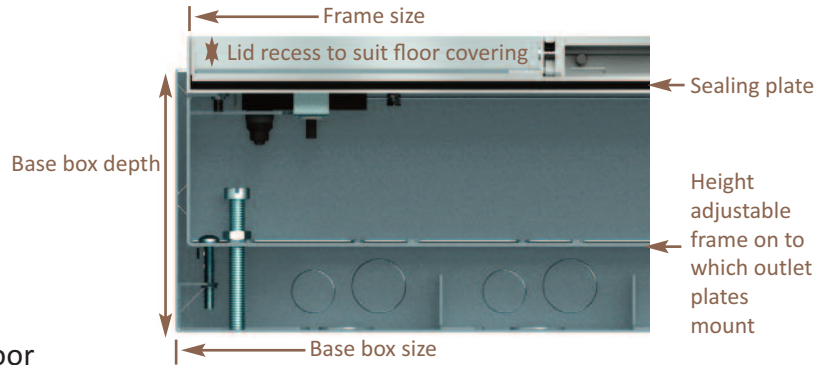
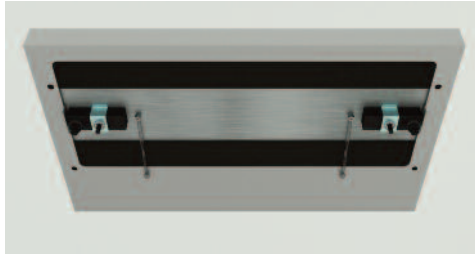
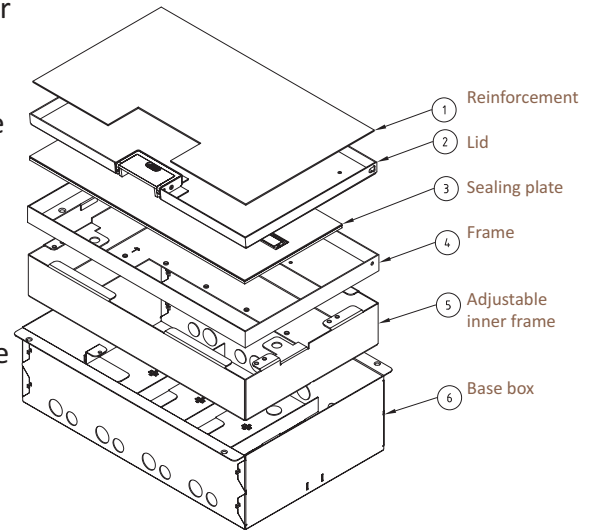


Cableduct IP65 floor box (when not in use, Patent applied for 1721965.0)



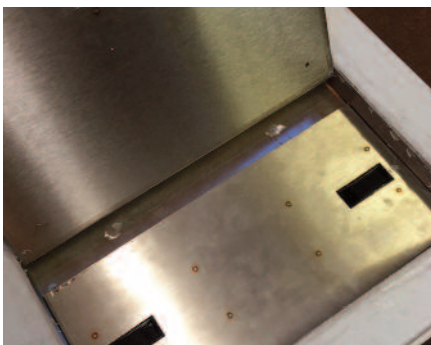
### Installation:

1. Mount the base box securely in the sub floor
2. Using the adjustment screws on the height adjustable inner frame to level the lid and frame to the surrounding floor material
3. Lay the floor material up to the outer frame, and inside the lid of the floor box
4. Use a waterproof sealant to ensure a watertight seal between the surrounding floor material and the frame of the floor box
5. The box is supplied fitted with a unique movable sealing plate. When installed the sealing plate should be left in the forward sealed position.



### Use of the floor box

1. When the sockets are not in use the sealing plate should always be in the forward sealed position.
2. When sealed the box is ingress protected to IP65 and can be wet washed
3. When the socket is required to be used, the unique sealing plate can be unclipped and retracted into the user position. In this position it is possible to hinge open the sealing plate to access all sockets.
4. Note that the box is NOT sealed when the sealing place has been retracted and the box must not be subjected to water. Whilst the box is being used the outlet flap will be in an open position.
5. Once the box is no longer required for use, the sealing plate must be brought forward to the sealed position. The box is designed to allow water ingress through the lid, but to seal against the water accessing the socket enclosure. After the box (fitted with sealing plate) has been subject to wet washing, the area inside the lid must be allowed to dry fully before removing the sealing plate.



Sealing plate in sealed position



Sealing plate hinged open for access



Cableduct Ltd  
30 Selhurst Road  
South Norwood  
London  
SE25 5QF

Page 1 of 1

## Test Certificate

Ingress Protection  
for  
700 Series Rectangular Floor Box

**Date of Issue:** 1<sup>st</sup> December 2017

**Report Reference:** TL17155

**Model References:** 700 Series, 150x150mm, 250x148mm, 233x250mm, 200x200mm, 320x250mm, 300x300mm, 407x250mm

**Unique Identifier:** N/A

**Date of Receipt:** 10<sup>th</sup> October 2017

**Date of Test:** 10<sup>th</sup> October 2017 to the 30<sup>th</sup> November 2017

**Test Required:** Test for with the following tests only: -  
IP65 with reference to EN 60529:1992 + A1:1998 + A2:2000

**Conclusion:** In the configuration tested the sample meets the requirements of the standards detailed above.

**Issue Number:** 1

*Attention is drawn to the limitation of liability, indemnification and jurisdiction issues defined therein. Any holder of this document is advised that information contained hereon reflects the Company's findings at the time of its intervention only and within the limits of Client's instructions, if any. The Company's sole responsibility is to its Client and this document does not exonerate parties to a transaction from exercising all their rights and obligations under the transaction documents. Any unauthorized alteration, forgery or falsification of the content or appearance of this document is unlawful and offenders may be prosecuted to the fullest extent of the law.*

*Unless otherwise stated the results shown in this test report refer only to the sample(s) tested and such sample(s) are retained for 4 weeks only. This document cannot be reproduced except in full, without prior approval of the Company.*

*Authorised Signatory*

**S. K. Lee**  
**Laboratory Manager**