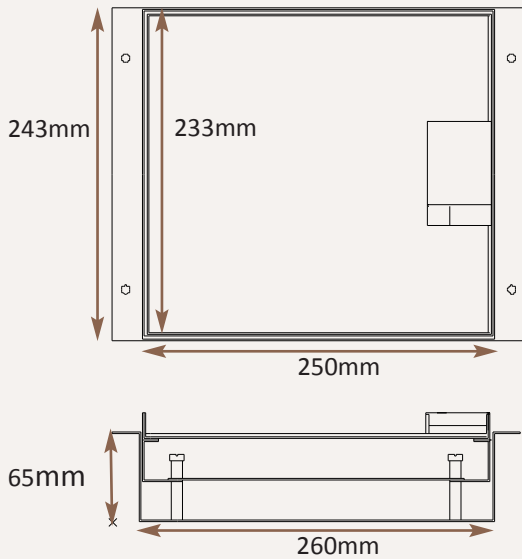
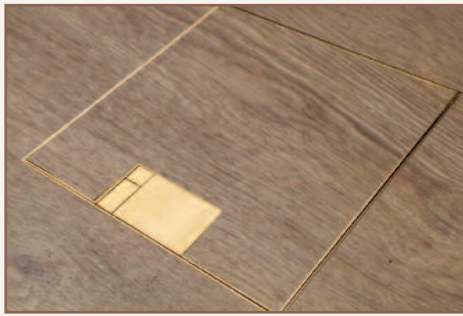
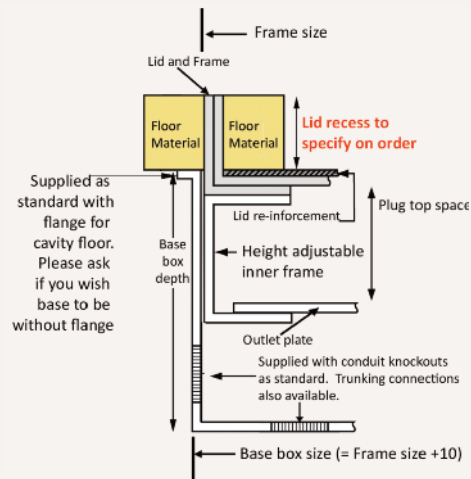
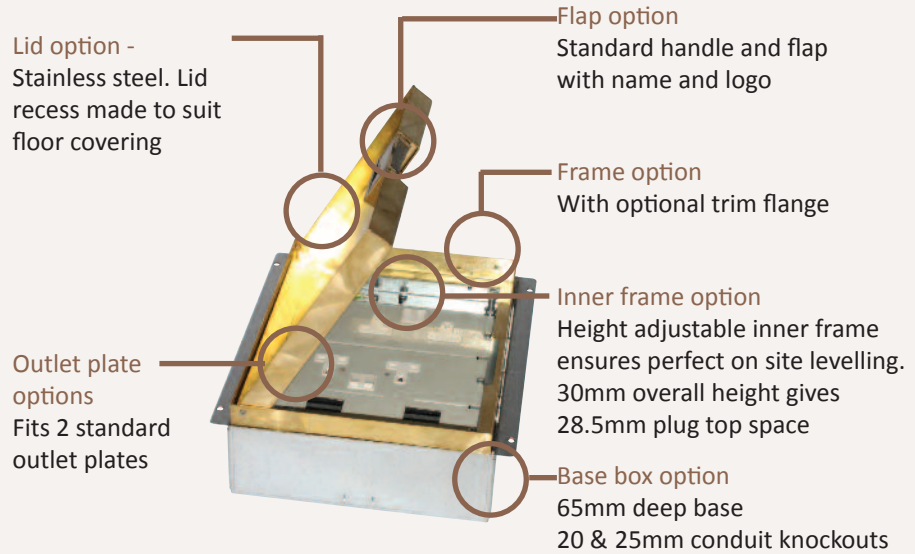


Standard Finish: M26-BR-TR-SAT



Frame size 233x250mm
Base box size 243x260mm
Lid recess - advise on order to suit floor covering
Base with 20 & 25mm conduit knockouts



Other Options for the M26-BR:

- M26-BR-FL-SAT Satin brass 12.5mm trim flange, recessed lid
- M26-BR-FL-MIR Mirror Polished brass 12.5mm trim flange, recessed lid
- M26-BR-TR-MIR Mirror Polished brass trimless, recessed lid
- MIN-FLTLID Extra to a flat instead of recessed lid
- MIN-LOCK Extra to supply lid and frame with a cam lock
- SB72RETRO Retro stlye base box fitting entirely within frame
- MIN-BRONZE Antique Bronze finish (Antique Brass and Jordan Bronze also available)

