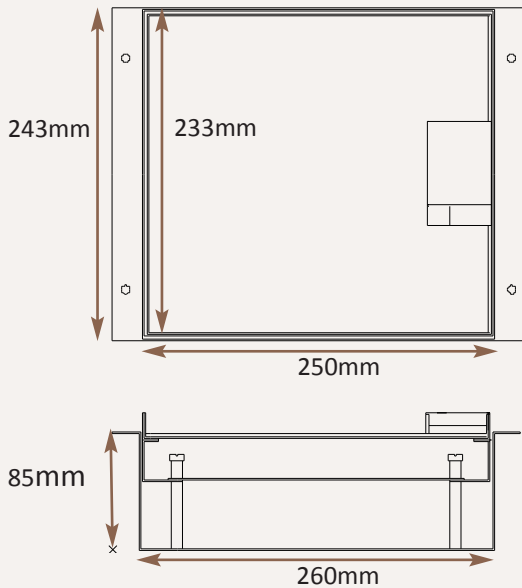
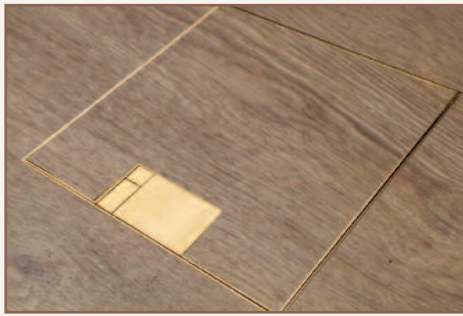
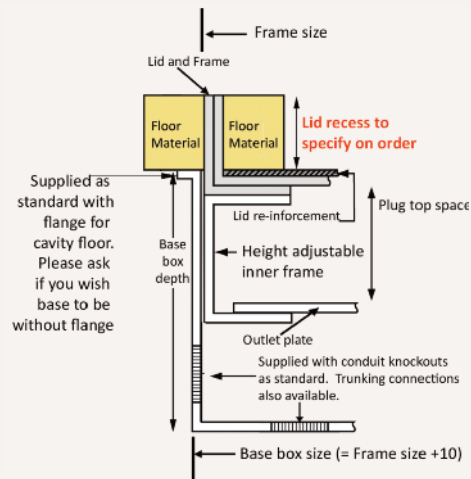
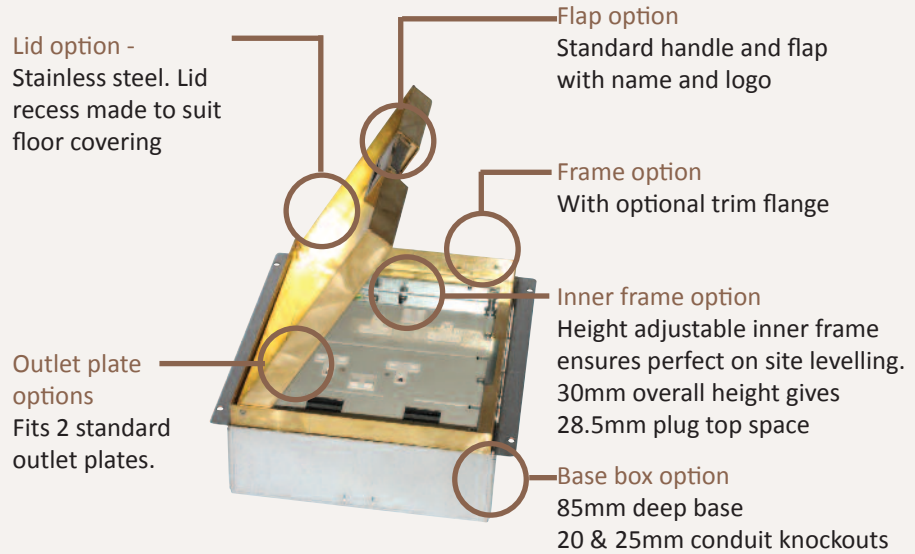


Standard Finish: M28-BR-TR-SAT



Frame size 233x250mm
 Base box size 243x260mm
 Lid recess - advise on order to suit floor covering
 Base with 20 & 25mm conduit knockouts in base and sides



Other Options for the M28-BR:

- M28-BR-FL-SAT: Satin brass 12.5mm trim flange, recessed lid
- M28-BR-FL-MIR: Mirror Polished brass 12.5mm trim flange, recessed lid
- M28-BR-TR-MIR: Mirror Polished brass trimless, recessed lid
- MIN-FLTLID: Extra to a flat instead of recessed lid
- MIN-LOCK: Extra to supply lid and frame with a cam lock
- SB72RETRO: Retro stlye base box fitting entirely within frame
- MIN-BRONZE: Antique Bronze finish (Antique Brass and Jordan Bronze also available)

