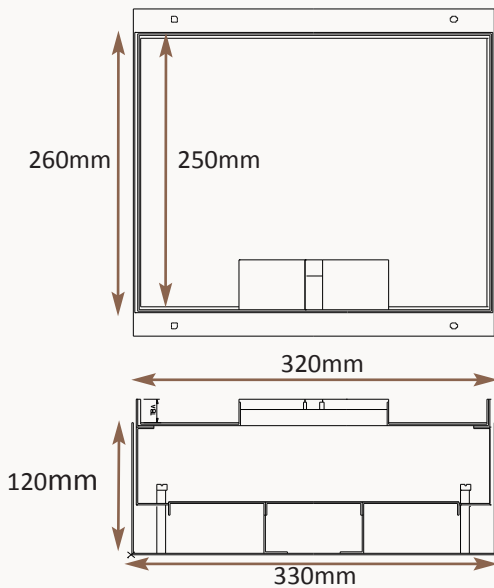
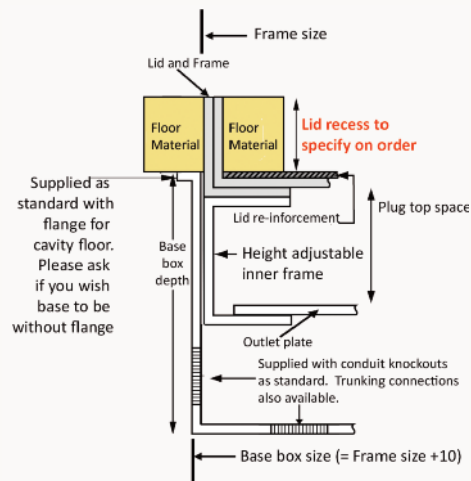
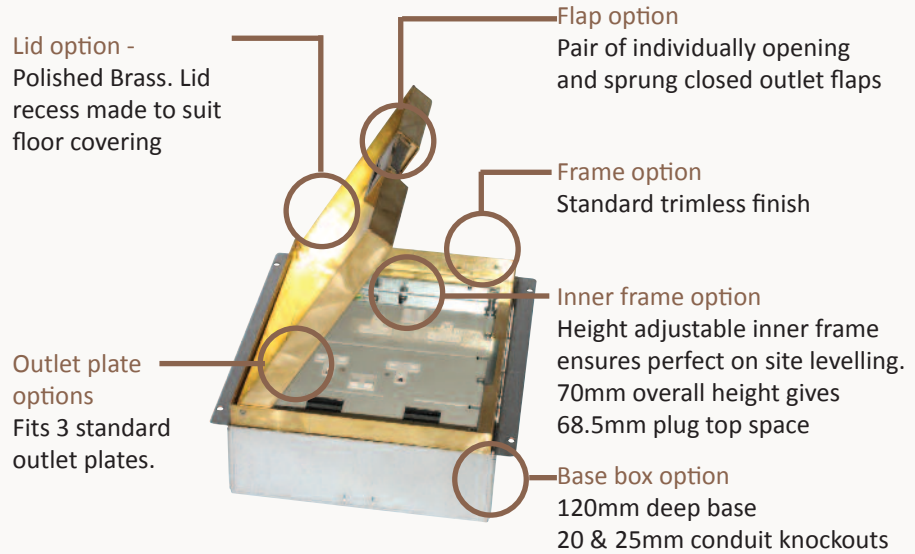


Standard Finish: M32-BR-TR-SAT



Frame size 320x250mm
 Base box size 330x260mm
 Lid recess - advise on order to suit floor covering
 Base with 20 & 25mm conduit knockouts in base and sides



Other Options for the M32-BR:

- M32-BR-FL-SAT Satin brass 12.5mm trim flange, recessed lid
- M32-BR-FL-MIR Mirror Polished brass 12.5mm trim flange, recessed lid
- M32-BR-TR-MIR Mirror Polished brass trimless, recessed lid
- MIN-FLTLID Extra to a flat instead of recessed lid
- MIN-LOCK Extra to supply lid and frame with a NICKEL cam lock
- SB73RETRO Retro stlye base box fitting entirely within frame
- 700-BRONZE Antique Bronze finish (Antique Brass and Jordan Bronze also available)

