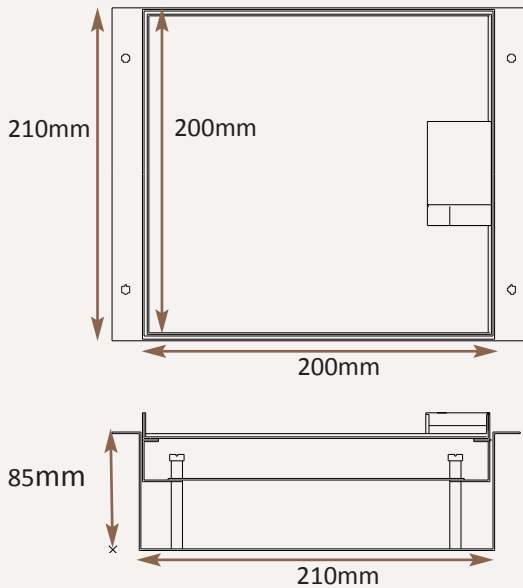
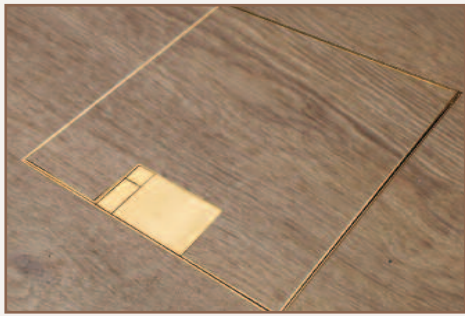


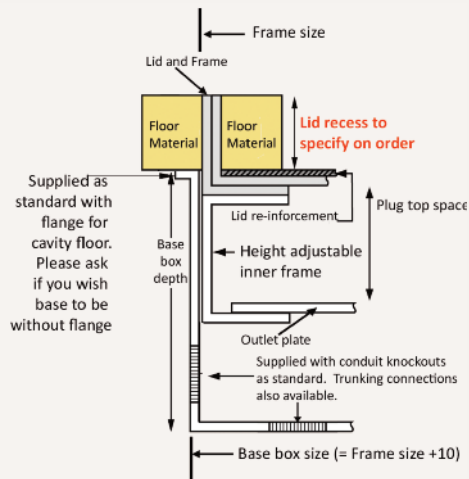
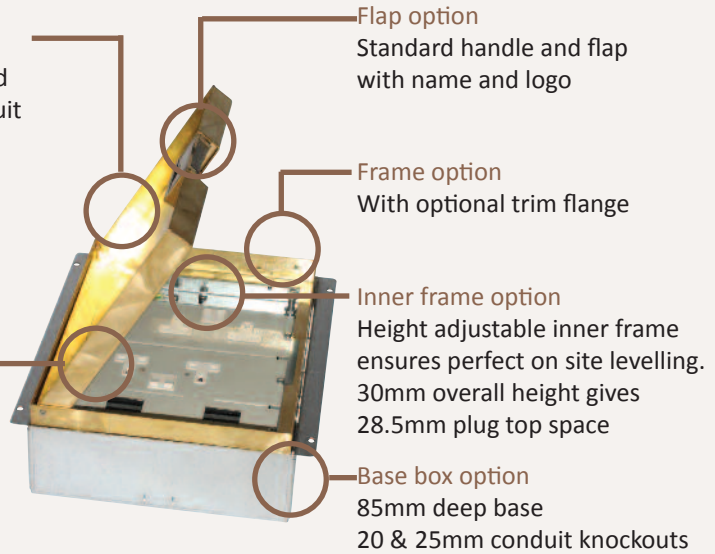
Standard Finish: MM8-BR-TR-SAT



Frame size 200x200mm
 Base box size 210x210mm
 Lid recess - advise on order to suit floor covering
 Base with 20 & 25mm conduit knockouts in base and sides

Lid option -
 Stainless steel. Lid
 recess made to suit
 floor covering

Outlet plate
 options
 Fits 2 ref 7RO
 outlet plates.



Other Options for the MM8-BR:

- MM8-BR-FL-SAT Satin brass 12.5mm trim flange, recessed lid
- MM8-BR-FL-MIR Mirror Polished brass 12.5mm trim flange, recessed lid
- MM8-BR-TR-MIR Mirror Polished brass trimless, recessed lid
- MIN-FLTLID Extra to a flat instead of recessed lid
- MIN-LOCK Extra to supply lid and frame with a cam lock
- SB7MRETRO Retro stlye base box fitting entirely within frame
- 700-BRONZE Antique Bronze finish (Antique Brass and Jordan Bronze also available)

