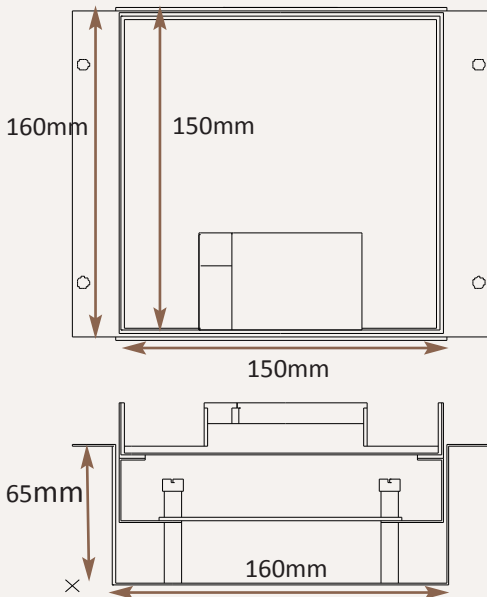
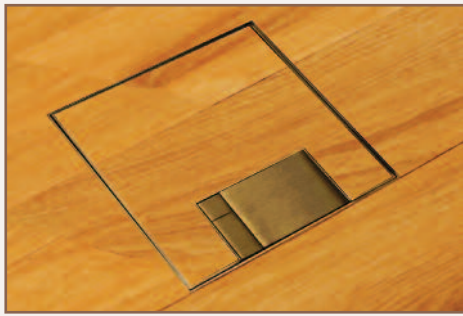


Standard Finish: MS6-BR-TR-SAT



Frame size 150x150mm
Base box size 160x160mm
Lid recess - advise on order to suit floor covering
Base with 20 & 25mm conduit knockouts

Other Options for the MS6-BR:

- MS6-BR-FL-SAT Satin brass trim flange, recessed lid
- MS6-BR-FL-MIR Mirror Polished brass trim flange, recessed lid
- MS6-BR-TR-MIR Mirror Polished brass trimless, recessed lid
- MIN-FLTLID Extra to a flat instead of recessed lid
- MIN-LOCK Extra to supply lid and frame with a cam lock
- SB7SRETRO Retro stlye base box fitting entirely within frame
- MIN-BRONZE Antique Bronze finish (Antique Brass and Jordan Bronze also available)

