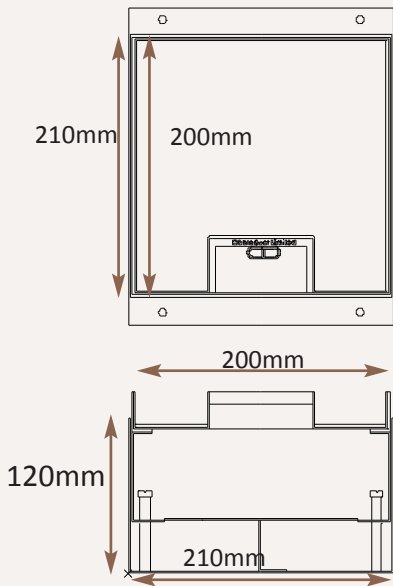
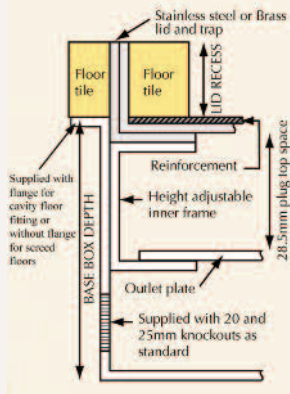
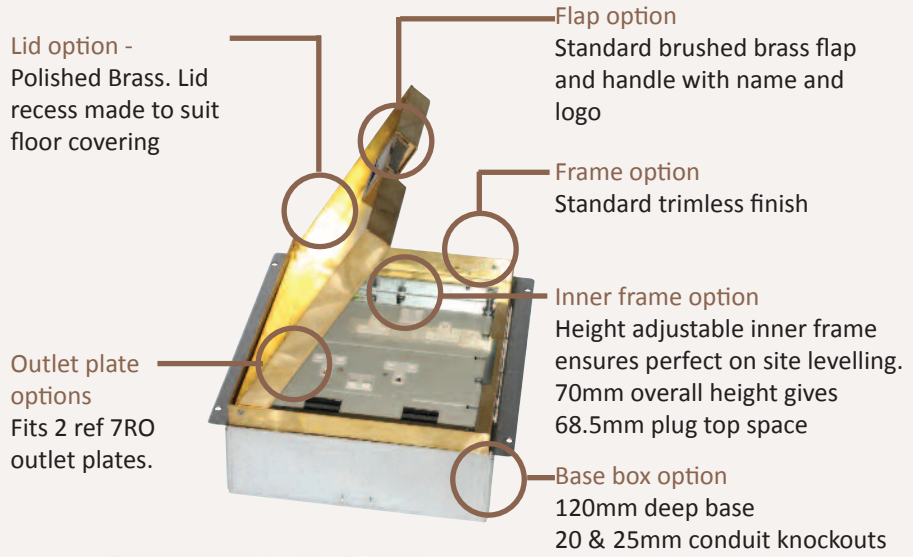


Standard Finish



Frame size 200x200mm
 Base box size 210x210mm
 Lid recess - advise on order to suit floor covering
 Base with 20 & 25mm conduit knockouts in base and sides



Optional Extras

- SBOX-700+BR Extra to supply box in 2mm brass, with 4mm thick infill plate to withstand larger loads
- SBOX-700CLHANBR Extra to supply the handle without the Cableduct name
- SBOX-700NOLOGB Extra to supply the flap without the Cableduct logo
- SBOX-700-FL-MIR Extra to supply lid with a mirror polished outlet flap
- SBOX-700-FLANGE Extra to supply frame with a trim flange
- SBOX-700-LOCK Extra to supply lid and frame with a cam lock
- SBOX-700-FTLID Extra to a flat instead of recessed lid (shown here with optional trim flange)
- SBOX-MIRROR Extra to supply lid with a mirror polished flap and a Mirror polished frame (usually required only on a trim frame)
- SBOX-700-MOUS Mousehole openings to be used
- SBOX-700-BRONZE Bronze surface finish

